



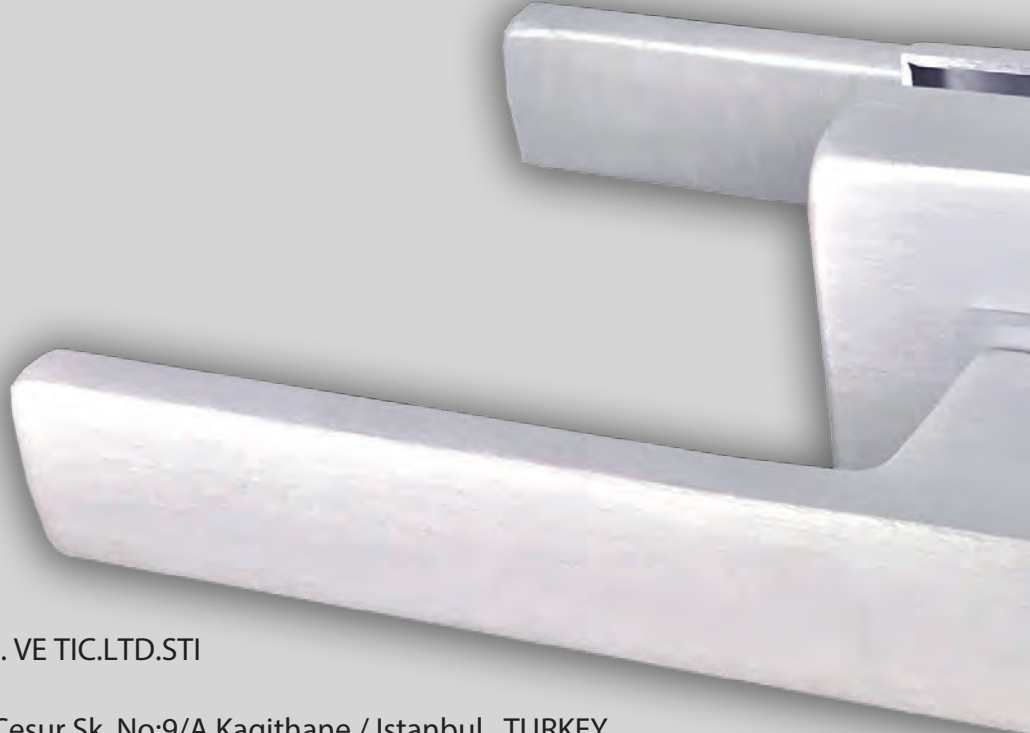
HATIPOĞLU GLASS ACCESSORIES



SHARK®



E-CATALOG



HATIPOĞLU HIRDAVAT SAN. VE TIC.LTD.STİ

Address : Seyrantepe Mah. Cesur Sk. No:9/A Kagithane / Istanbul TURKEY

Tel : +90 (212) 283 6112
Fax : +90 (212) 324 0717
Gsm : +90 (555) 441 8420

info@hatipoglultd.com.tr
www.hatipoglultd.com.tr



Press:
AT İstanbul Teknik Ofset
Matbaacılık San. ve Tic. Ltd. Şti.
15/06/2018



HATIPOĞLU

2018

GENERAL
CATALOGUE



 **JHODOR**[®]

SHARK[®]



HISTORY

Hatipoglu Glass Accessories, was established in 1986 under the name Hatipoglu Ironmongery Istanbul on the European side in 4th Levent.

In 2000 to address the company's glass accessories new face, Hatipoglu has brought some diversity to the product by importing glass accessories.

Hatipoglu Glass Accessories, currently offers services to a wide customer network to Europe from Asia Minor.

SERVICES

Hatipoglu Glass Accessories, always aims to serve the most modern, newest and most stylish products to you.

Hatipoglu Glass Accessories passing beyond the classical lines and serving always the best for you, leads the market with its various business policies and the experience coming from years.

Hatipoglu Glass Accessories brings simplicity and aesthetic to your life with its hotel, bureau, outdoor and indoor accessories.



OUR MISSION

We want to bring innovations to Europe and Middle East region by continuously updating our product range and become the leader of the glass accessory industry.

OUR VISION

Long durability with exhilarating visual design of our glass accessories provides us to find high quality and long-lasting solutions and give the value it deserves to our customers with reliable and ethical business sense.



All of the **SHARK**[®] glass accessories are a combination of durability and aesthetics. They manufactured after an intensive engineering effort and had successfully passed many tests before they reach you.

Only the highest quality materials and precise surface treatment are used with **SHARK**[®] products, both visually as well as make you feel quality when touched.

What makes the **SHARK**[®] glass accessories indispensable is, even after many years of use they dont lose their performance.





CONTENT

GLASS DOOR LOCKS and DOOR STOPPERS	7-20
FREE HINGES and PATCH FITTINGS	21-32
SHOWER HINGES	33-36
HYDRAULIC HINGES	37-42
GLASS CLIPS and SUPPORT BARS	43-46
GLASS DOOR HANDLES	47-53
TOWEL BARS and KNOBS	54-56
GLASS CONNECTORS and CANOPY FIXINGS	57-60
SLIDING DOOR SYSTEMS	61-78

Disclaimer:

The information contained within this catalog are subject to change without any notice.



GLASS DOOR LOCKS

Hatipoglu Glass Door Locks make sure that you feel confident in your home and office. Even after years of use there is no loss of performance. With superior design and silent operating mechanism they offer a quiet and comfortable environment. Stainless steel and aluminium materials with many finishing choices will fulfill our needs without doubt.



THR-1100



THOOR ROUND PATCH LOCK

- Cylinder + Handle + Strike Plate included
- Suitable for Glass 8mm to 12mm

Material	Cover Finish
Stainless Steel AISI304	Polished
	Satin
Aluminium	Anodizing



Strike Plate

Aluminium Handles



HT-1150



HT-1151

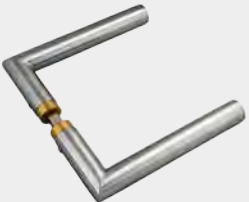
Stainless Steel Handles



HT-1150



HT-1153



HT-1155



Thumbturn Cylinder
(Optional)



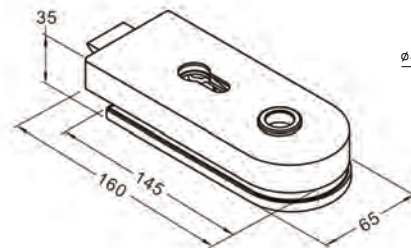
PARLAK



SATIN



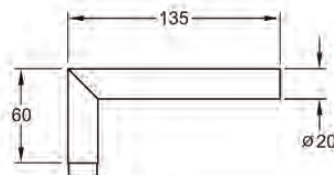
NATÜREL ELOKSAL



∅45,00

62,00

60,00





THOOR[®]

SHARK[®]



THR-1101



THOOR ROUND GLASS DOOR LOCK WITHOUT CYLINDER

- Handle + Strike Plate included
- Suitable for glass 8mm to 12mm

Material	Cover Finish
Stainless Steel AISI304	Polished
	Satin
Aluminium	Anodizing



Strike Plate



THR-1100K



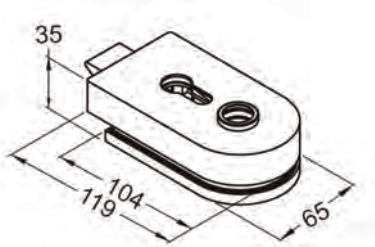
THOOR ROUND SHORT GLASS DOOR LOCK (155 mm)

- Cylinder + Handle + Strike Plate included
- Suitable for glass 8mm to 12mm
- Stainless Steel AISI304

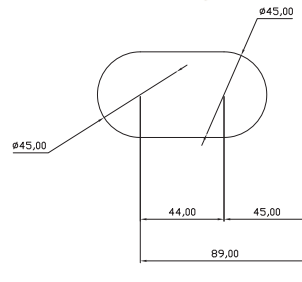
Material	Cover Finish
Stainless Steel AISI304	Polished
	Satin



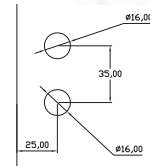
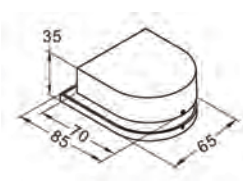
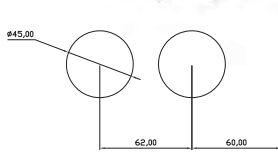
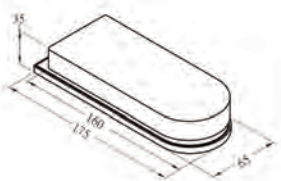
Strike Plate



THR-1102



THR-1102K



THOOR ROUND STRIKEBOXES

- Suitable for glass 8mm to 12mm

Material	Cover Finish
Stainless Steel AISI304	Polished
	Satin
Aluminium	Anodizing



THR-1100 + THR-1102



THR-1100 + THR-1102K

THR-1200



THR-1200 THOOR QUINN GLASS DOOR LOCK

- Cylinder + Handle + Strike Plate included
- Suitable for glass 8mm to 12mm

Material	Cover Finish
Stainless Steel AISI304	Polished
	Satin
	Matt Chrome



Strike Plate

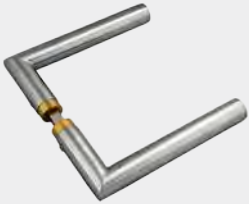
Polished and Satin Handles



HT-1150



HT-1155



HT-1153

Matt Chrome Handles



HT-1153



Thumbturn Cylinder
(Optional)



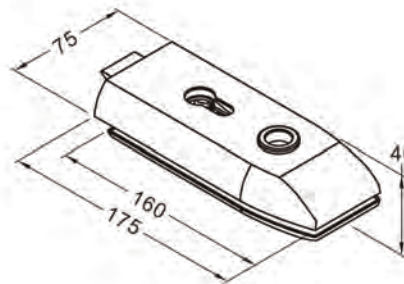
PARLAK



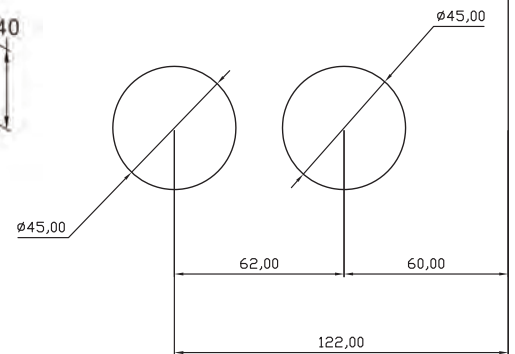
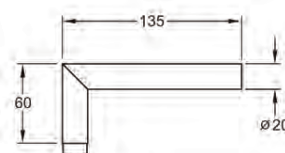
SATIN



MAT KROM



THR-1200 CAM KAPI KILIDI





THOOR®

SHARK®



THR-1201



THOOR QUINN GLASS DOOR LOCK WITHOUT CYLINDER

- Handle + Strike Plate included
- Suitable for glass 8mm to 12mm

Material	Color Finish
Stainless Steel AISI304	Polished
	Satin



Strike Plate



THR-1200WC



THOOR QUINN THUMBTURN GLASS DOOR LOCK

- Cylinder + Handle + Strike Plate included
- Suitable for glass 8mm to 12mm

Material	Cover Finish
Stainless Steel AISI304	Polished
	Satin



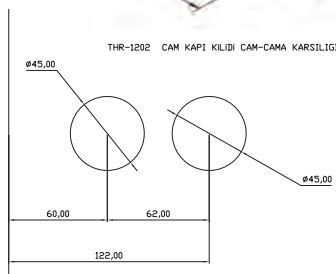
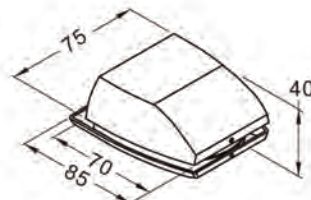
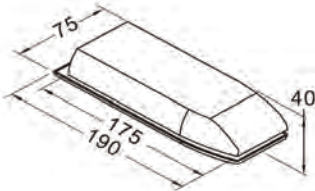
Strike Plate

Backview

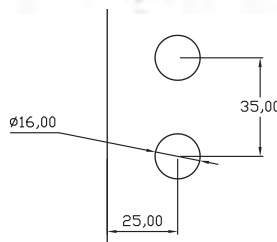


THR-1202

THR-1202K



THR-1202 CAM KAPI KILIDI CAM-CAMA KARŞILIGI



THOOR QUINN STRIKEBOXES

- Suitable for glass 8mm to 12mm

Material	Cover Finish
Stainless Steel AISI304	Polished
	Satin
	Matt Chrome



THR-1200+THR-1202



THR-1200+THR-1202K

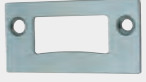
THR-1400



THOOR EDGE PATCH LOCK

- Cylinder + Handle + Strike Plate included
- Suitable for Glass 8mm to 12mm

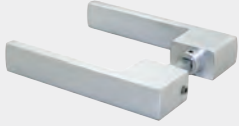
Material	Cover Finish
Aluminium	Anodizing



Strike Plate

Aluminium Handles

YENİ



HT-1154



HT-1151



HT-1150

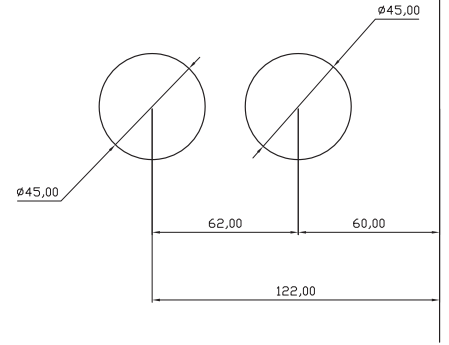
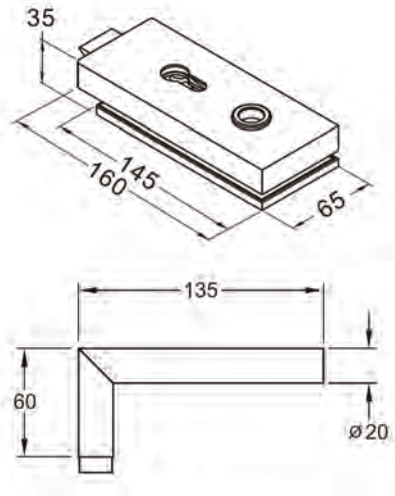


Thumbturn Cylinder
(Optional)



YENİ

ANODIZING



THR-1400K



THOOR EDGE SHORT GLASS DOOR LOCK (155 mm)

- Cylinder + Handle + Strike Plate included
- Suitable for Glass 8mm to 12mm

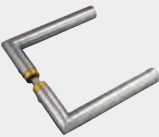


Material	Cover Finish
Stainless Steel AISI304	Polished
	Satin

Paslanmaz Kol Modelleri



HT-1155



HT-1153

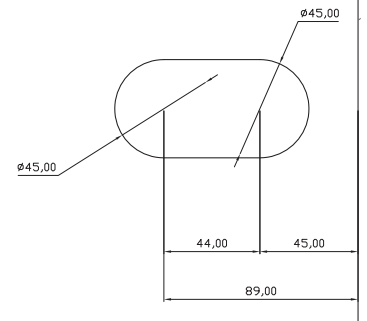
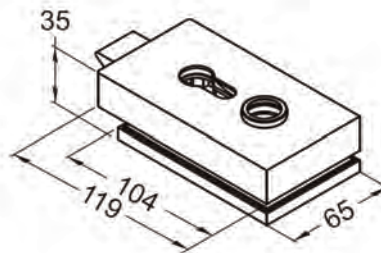


HT-1150



YENİ

POLISHED



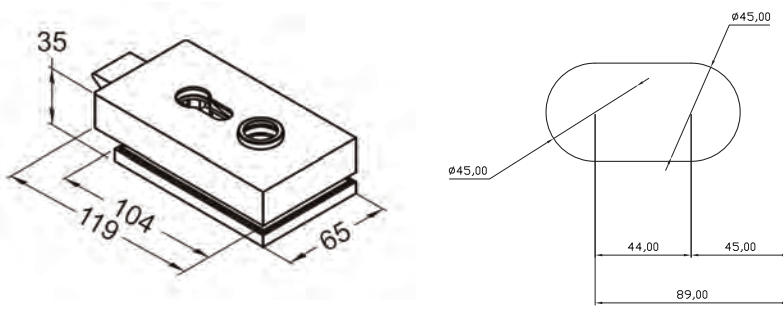
YENİ



THR-1400WCK

THOOR EDGE INDICATOR LOCK
(119 mm)

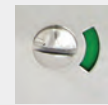
- Front and Back Indicator
- Cylinder + Handle + Strike Plate included
- Suitable for glass 8mm to 12mm
- Stainless Steel AISI304



Material	Cover Finish
Stainless Steel AISI304	Polished
	Satin



Strike Plate



Backview

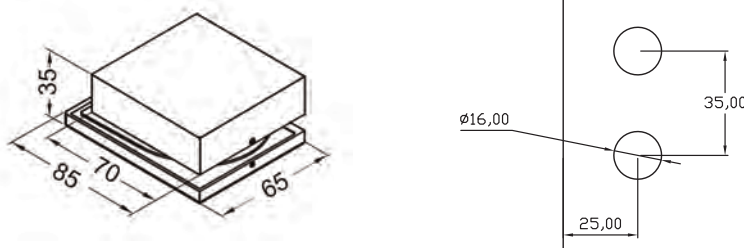
YENİ



THR-1402K

THOOR EDGE STRIKE BOX

- Suitable for glass 8mm to 12mm



Material	Cover Finish
Stainless Steel AISI304	Polished
	Satin
Aluminium	Anodizing

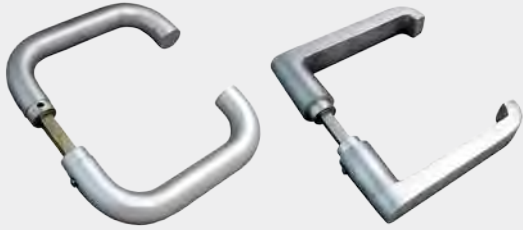
THR-1500



THOOR OFFICE GLASS DOOR LOCK

- Patented superior design
- Silent operating with Rubber
- Cylinder + Handle + Strike Plate included
- Suitable for glass 8mm to 12mm
- Aluminium Body, Aluminium Anodizing cover finis
- Different Designs for Right and Left

Aluminium Handles



HT-1150

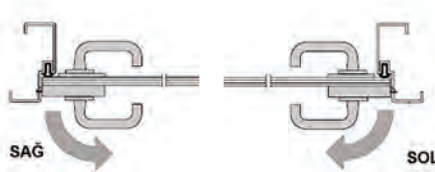
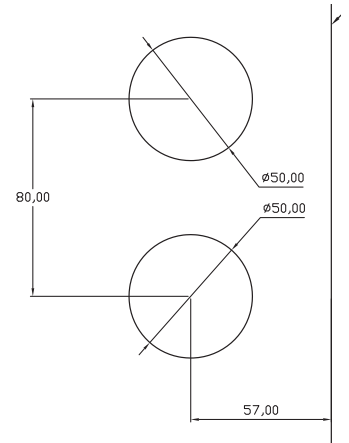
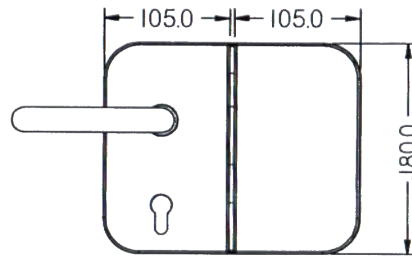
HT-1151



Thumbturn Cylinder
(Optional)



Strike
Plate



THR-1502



THOOR OFFICE GLASS DOOR LOCK STRIKEBOX

- Patented superior design
- Suitable for glass 8mm to 12mm
- Aluminium Body, Aluminium Anodizing cover finis
- Different Designs for Right and Left



THR-1500 + THR-1502

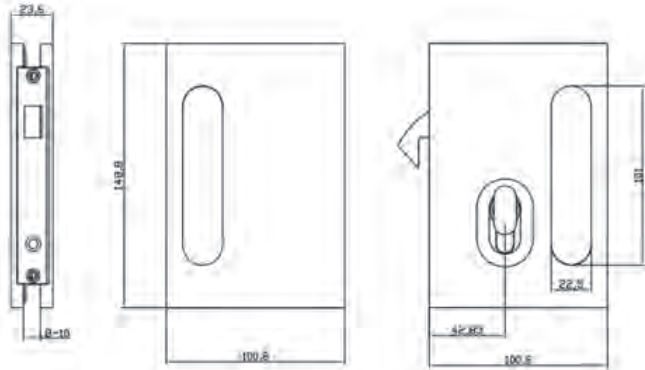


Strike Plate



HT-1800
SLIDE SLIDING GLASS
DOOR LOCK

- Hook Latch
- Suitable for glass 8mm to 12mm
- Stainless Steel AISI304, Satin



HT-1802
SLIDE SLIDING GLASS DOOR
LOCK STRIKEBOX

- Suitable for glass 8mm to 12mm
- Stainless Steel AISI304, Satin



HT-1800 + HT-1802



HT-1810
SLIDING GLASS DOOR
MORTISE LOCK

- Suitable for glass 8mm to 12mm
- Stainless Steel AISI304, Satin

THR-1210WC



THOOR THUMBTURN INDICATION LOCK

- Red/Green Indicator
- Suitable for glass 8mm to 12mm
- Chrome plated over Brass
- Strike plate included

STAINLESS STEEL KNOB



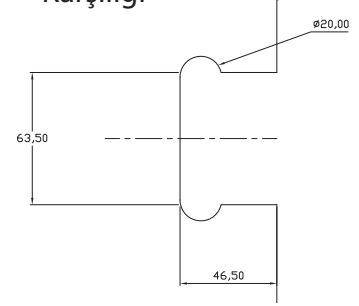
(OPTIONAL)
THR-1210WC
+
NOB



Kasa
Karşılığı



Backside



THR-1220WC



THOOR THUMBTURN INDICATION LOCK

- Red/Green Indicator
- Suitable or glass 8mm to 12mm
- Chrome plated over Brass



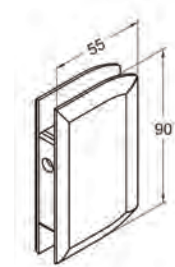
Backside

THR-1212

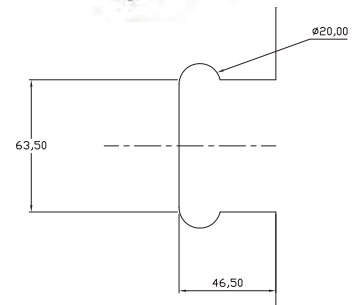


THOOR THUMBTURN INDICATION LOCK STRIKEBOX

- Suitable or glass 8mm to 12mm
- Chrome plated over Brass



THR-1210WC + THR-1212





Strike Plate



THR-1310



**THOOR THUMBTURN
GLASS DOOR LOCK
WITHOUT GLASS CUT**

- Suitable for glass 8mm to 10mm
- Strike plate included

Material	Cover Finish
Brass	Chrome Plated
	Matt Chrome



Strike Plate



Backview

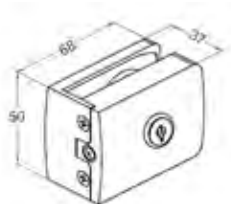


THR-1310WC



**THOOR THUMBTURN
INDICATION LOCK
WITHOUT GLASS CUT**

- Red/Green Indicator
- Suitable for glass 8mm to 10mm
- Chrome plate or Matt Chrome over Brass
- Strike plate included



Strike Plate

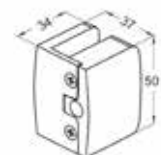


THR-1315



**THOOR GLASS DOOR LOCK
WITHOUT GLASS CUT**

- Suitable for glass 8mm to 10mm
- Chrome plate or Matt Chrome over Brass
- Strike plate included



THR-1315 + THR-1312



THR-1312



**THOOR GLASS DOOR
LOCK STRIKEBOX
WITHOUT GLASS CUT**

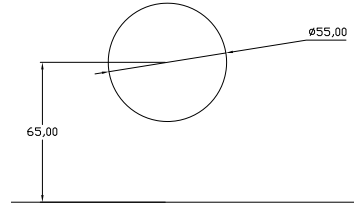
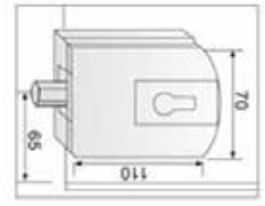
- Suitable for glass 8mm to 10mm
- Chrome plate or Matt Chrome over Brass

HT-1300

GRAND GLASS DOOR LOCK

- Cylinder + Strike Plate included
- Suitable for glass 8mm to 12mm

Material	Cover Finish
Stainless Steel AISI304	Polished
	Satin

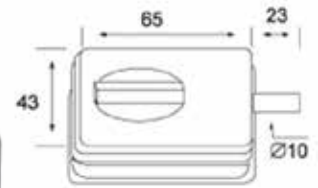


Dustproof
Strike Box

HT-1320

THUMBTURN GLASS DOOR LOCK and STRIKEBOX

- Without Glass-Cut
- Suitable for glass 8mm to 10mm
- Stainless Steel AISI304, Satin



HT-1337

GLASS DOOR LOCK and STRIKEBOX

- Without Glass-Cut
- Suitable for glass 8mm to 10mm
- Stainless Steel AISI304, Satin
- One side thumbturn otherside key



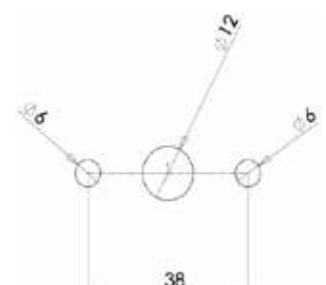
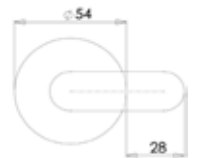
HT-1370

CUBICAL SYSTEM THUMBTURN INDICATION LOCK

- Red/Green Indicator
- Suitable for 8mm to 10mm glass and compact laminate
- Stainless Steel AISI304, Satin



Arkadan Görünüm





Pul

HT-1390

MAGNETIC DOOR STOPPER

- Chrome plated over zinc
- Small round pin included



HT-1392

RUBBER GLASS DOOR STOPPER

- Chrome plated over Brass



HT-1395

SPRING BALL GLASS DOOR STOPPER

- Chrome plated over Brass



HT-1396

SPRING BALL GLASS DOOR STOPPER

- Chrome plated over Brass



HT-1397

SPRING MINI GLASS DOOR STOPPER

- Chrome plated over Brass



FREE HINGES

Free hinges are the most preferred hinges used with office doors. Aluminium or wood almost every frame type can be used along with free hinges. With modern designs patented in Europe and United States and quality controlled durable materials, Hatipoglu Free Hinges always takes you a step beyond the standard.





THR-2201



THOOR QUINN GLASS DOOR FREE HINGE (Wall to Glass)

- Suitable for glass 8mm to 10mm
- Flawless Look with Cover hiding screws
- Maximum door weight for 2 pieces: 40kg

Material	Cover Finish
Brass	Chrome plated
	Satin
	Matt Chrome

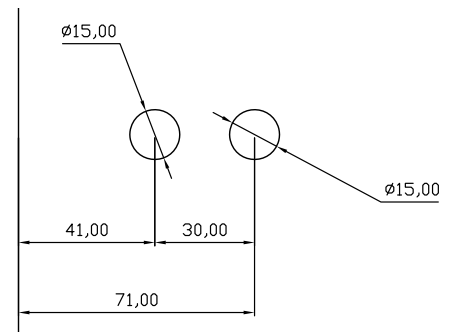
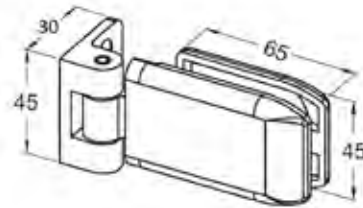


MAT KROM



SATIN

PARLAK



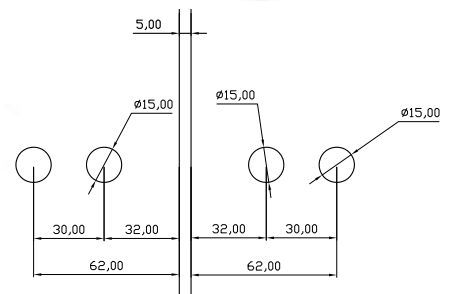
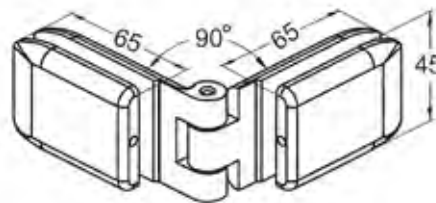
THR-2203



THOOR QUINN GLASS DOOR FREE HINGE (Glass to Glass)

- Suitable for glass 8mm to 10mm
- Flawless Look with Cover hiding screws
- Maximum door weight for 2 pieces: 40kg

Material	Cover Finish
Brass	Chrome plated
	Satin
	Matt Chrome

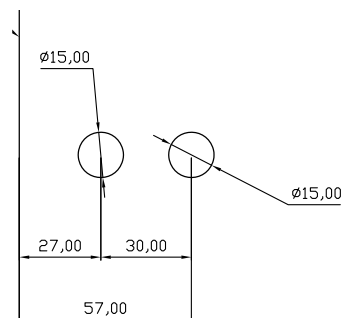
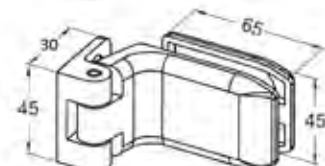


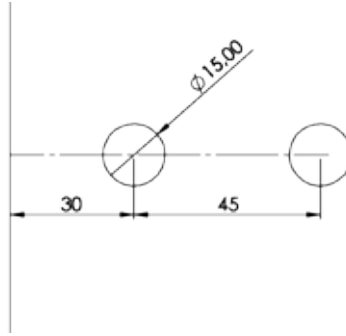
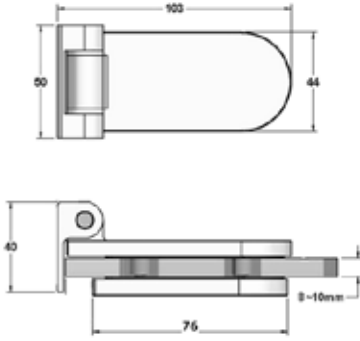
THR-2200



THOOR L-SHAPED GLASS DOOR FREE HINGE (Wall to Glass)

- Suitable for glass 8mm to 10mm
- Chrome plated over Brass
- Flawless Look with Cover hiding screws
- Maximum door weight for 2 pieces: 40kg



YENİ


THR-2210



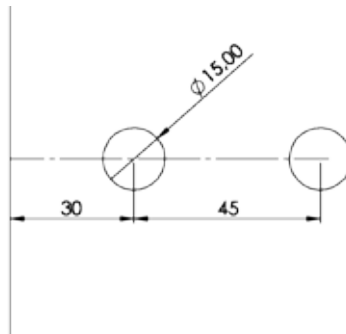
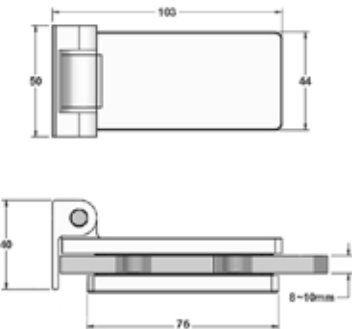
THOOR ROUND GLASS DOOR FREE HINGE (Wall to Glass)

- Suitable for glass 8mm to 12mm
- Flawless Look with Cover hiding screws
- Maximum door weight for 2 pieces: 45kg

Material	Cover Finish
Aluminium	Anodizing



Arkadan Görünüm

YENİ


THR-2240



THOOR EDGE GLASS DOOR FREE HINGE (Wall to Glass)

- Suitable for glass 8mm to 12mm
- Flawless Look with Cover hiding screws
- Maximum door weight for 2 pieces: 45kg

Malzeme	Renk
Aluminium	Anodizing



Arkadan Görünüm

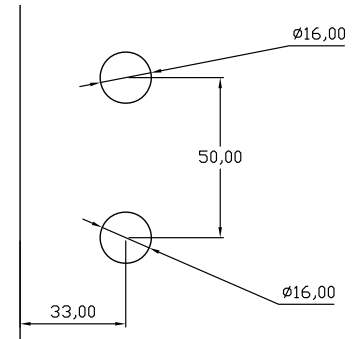
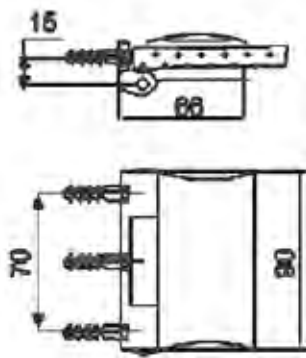


HT-2350

ELITE GLASS DOOR FREE HINGE (Wall to Glass)

- Suitable for glass 8mm to 12mm
- Maximum door weight for 2 pieces: 55kg

Material	Cover Finish
Brass	Chrome plated
	Matt Chrome

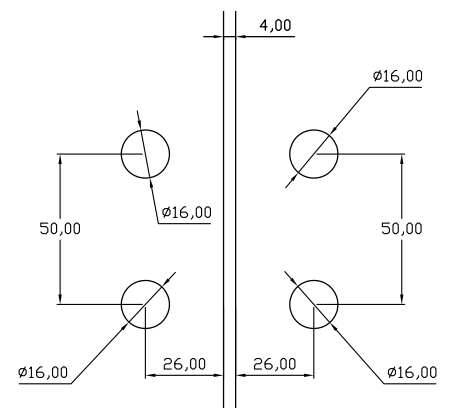
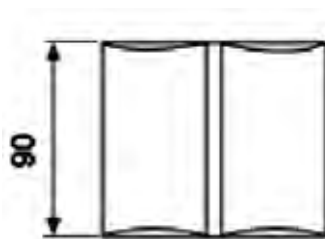


HT-2353

ELITE GLASS DOOR FREE HINGE (Glass to Glass)

- Suitable for glass 8mm to 12mm
- Maximum door weight for 2 pieces: 55kg

Material	Cover Finish
Brass	Chrome plated
	Matt Chrome





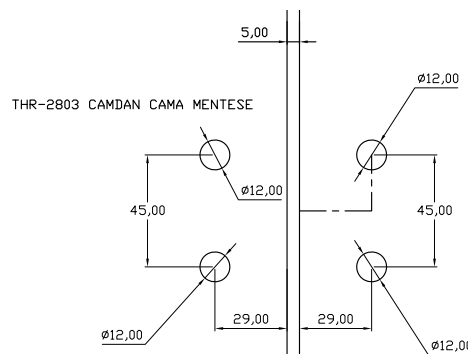
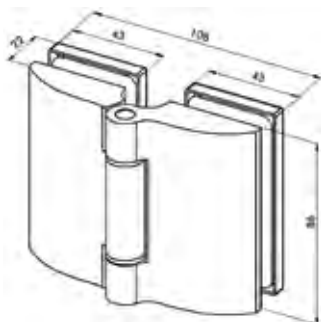
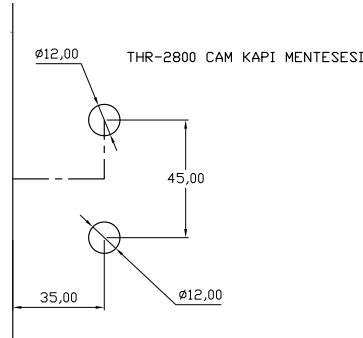
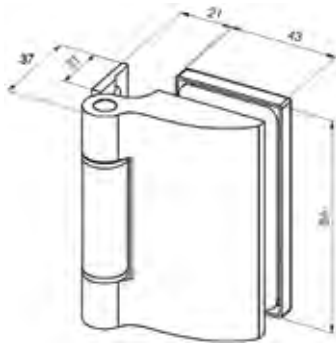
NATÜREL ELOKSAL



PARLAK



SATIN



THR-2800



THOOR OFFICE GLASS DOOR FREE HINGE (Wall to Glass)

- Suitable for glass 8mm to 12mm
- Flawless Look with Cover hiding screws
- Maximum door weight for 2 pieces: 50kg

Material	Cover Finish
Aluminium	Polished
	Satin
	Anodizing

THR-2803



THOOR OFFICE GLASS DOOR FREE HINGE (Glass to Glass)

- Suitable for glass 8mm to 12mm
- Flawless Look with Cover hiding screws
- Maximum door weight for 2 pieces: 50kg

Material	Cover Finish
Aluminium	Polished
	Satin
	Anodizing



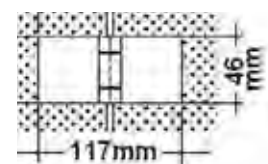
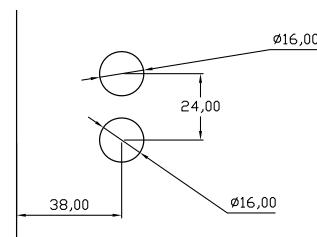
Backview



HT-2250

GLASS DOOR FREE HINGE (Wall to Glass)

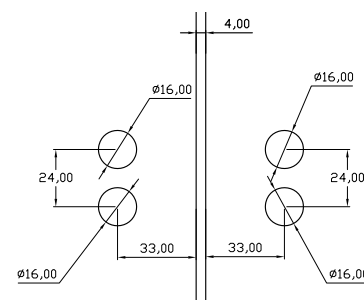
- Suitable for glass 6mm to 10mm
- Chrome plated over Brass
- Maximum door weight for 2 pieces: 36kg



HT-2253

GLASS DOOR FREE HINGE (Glass to Glass)

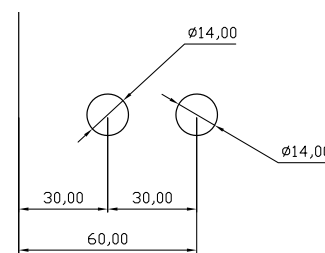
- Suitable for glass 6mm to 10mm
- Chrome plated over Brass
- Maximum door weight for 2 pieces: 36kg



HT-2260

GLASS DOOR FREE HINGE (Wall to Glass)

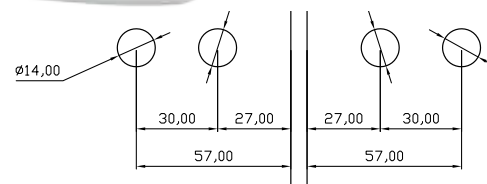
- Suitable for glass 6mm to 10mm
- Chrome plated over Brass
- Maximum door weight for 2 pieces: 36kg

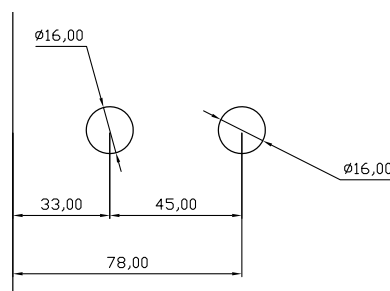
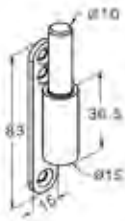
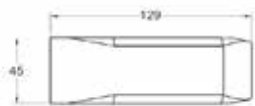
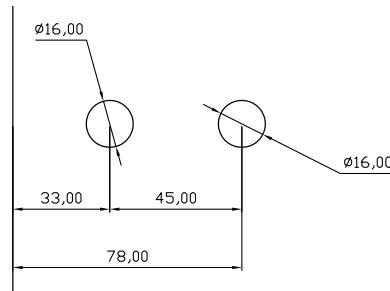
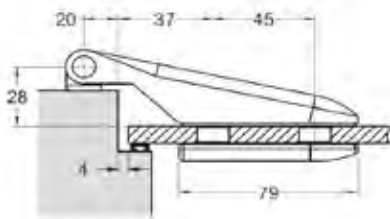
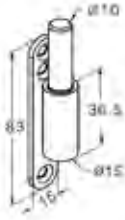
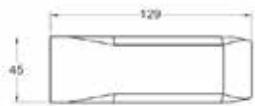


HT-2263

GLASS DOOR FREE HINGE (Wall to Glass)

- Suitable for glass 6mm to 10mm
- Chrome plated over Brass
- Maximum door weight for 2 pieces: 36kg





THR-2600



THOOR GRAND QUINN GLASS DOOR FREE HINGE (Wall to Glass)

- Suitable for glass 8mm to 12mm
- Chrome plated over Brass
- Fixing plate included
- Maximum door weight for 2 pieces: 45kg

THR-2600 + THR-2500BP



THOOR GRAND QUINN GLASS DOOR FREE HINGE and ALTERNATIVE FIXING PLATE

- Suitable for glass 8mm to 12mm
- Chrome plated over Brass
- Maximum door weight for 2 pieces: 45kg

HT-2520

GLASS DOOR FREE HINGE (Wall to Glass)

- Suitable for glass 8mm to 10mm
- Aluminium material
- Fixing plate included
- Maximum door weight for 2 pieces: 40kg

CUBICLE SYSTEM FITTINGS



HT-2370



CUBICLE SYSTEM FREE HINGE
(Wall to Glass)

- Stainless Steel AISI304, Satin
- Suitable for glass and compact laminate 8mm to

HT-2373



CUBICLE SYSTEM FREE HINGE
(Glass to Glass)

- Stainless Steel AISI304, Satin
- Suitable for glass and compact laminate 8mm to 12mm



HT-1370



Backside

CUBICLE SYSTEM INDICATION LOCK

- Red/Green Indicator
- Suitable for glass and compact laminate 8mm to 12mm
- Stainless Steel AISI304, Satin

HT-5702



GLASS DOOR HANDLE

- Stainless Steel AISI304, Satin
- Dimensions: Ø20x200x220mm

HT-7010



PANEL LEG SUPPORT (Wall to Glass)

- Stainless Steel AISI304, Satin
- Suitable for glass 8mm to 10mm
- Without Glass cut

HT-7013



PANEL FIXING (Tube to Glass)

- Stainless Steel AISI304, Satin
- Suitable for glass 8mm to 10mm
- Without Glass cut

HT-8107

TUBE FLANGE



HT-8101R

STAINLESS STEEL TUBE





HT-2700-SERIES



HT-2705B

HT-2703

HT-5110

HT-2702

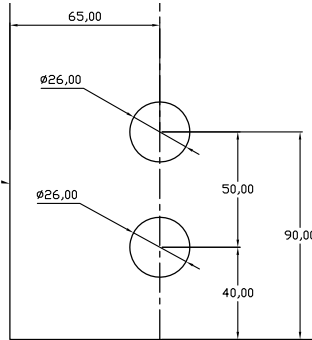
HT-2701



HT-2705

**TOP FREE
PIVOT HINGE GUIDE
(From Glass)**

Stainless Steel AISI304
Satin
From top glass panel



HT-2705B

**TOP FREE
PIVOT HINGE GUIDE
(From Glass)**

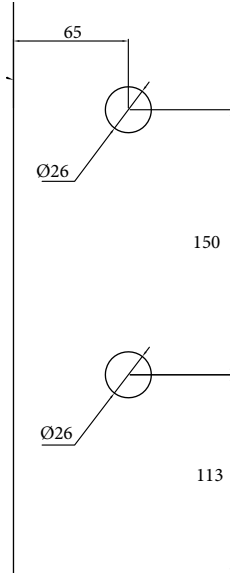
Stainless Steel AISI304
Satin
From top and side glass panel



HT-2702

**BOTTOM FREE
PIVOT HINGE**

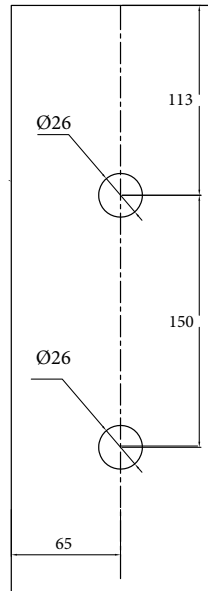
Suitable for glass 8mm to
16mm
Stainless Steel AISI304
Satin



HT-2703

**TOP FREE
PIVOT HINGE**

Suitable for glass 8mm to
16mm
Stainless Steel AISI304
Satin



HT-2701



**BOTTOM FREE PIVOT HINGE
GUIDE**

Stainless Steel AISI304
Satin

HT-2704



**TOP FREE PIVOT HINGE
GUIDE**

Stainless Steel AISI304
Satin

HT-2706



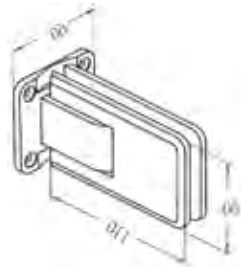
**GLASS DOOR STOPPER
(From Glass)**

Stainless Steel AISI304
Satin



SHOWER HINGES

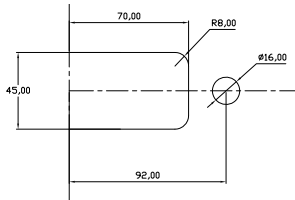
Shower hinges has the ability to close itself within ± 25 degree angle thx to the spring mechanism inside. Because of this feature that seperates shower hinges from free hinges, glass doors can stay put at different angles like 90° , 135° , 180° . Glass to glass and wall to glass connection types allow easy installation and functionality. In wet environments high quality chrome plating over brass has better corrosion resistance than most stainless steel. Hatipoglu Shower Hinges offers a reliable solution in houses, hotel rooms, sauna and many more places.



HT-3010

**GLASS DOOR SHOWER HINGE
(Wall to Glass) 90°**

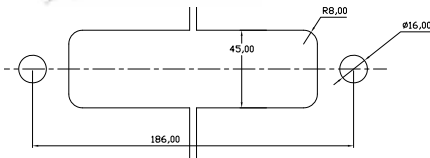
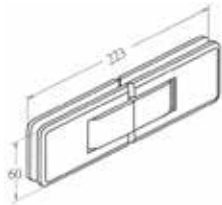
- Chrome plated over Brass
- Stainless Steel Spring
- Suitable for glass 8mm to 10mm



HT-3013

**GLASS DOOR SHOWER HINGE
(Glass to Glass) 180°**

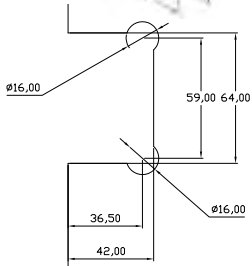
- Chrome plated over Brass
- Stainless Steel Spring
- Suitable for glass 8mm to 10mm



HT-3300

**GLASS DOOR SHOWER HINGE
(Wall to Glass) 90°**

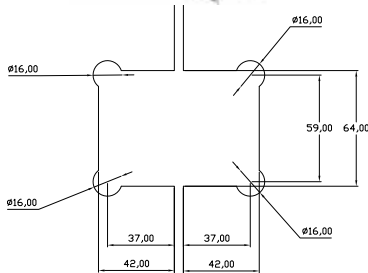
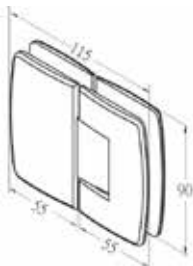
- Chrome plated over Brass
- Stainless Steel Spring
- Suitable for glass 8mm to 10mm



HT-3303

**GLASS DOOR SHOWER HINGE
(Glass to Glass) 180°**

- Chrome plated over Brass
- Stainless Steel Spring
- Suitable for glass 8mm to 10mm



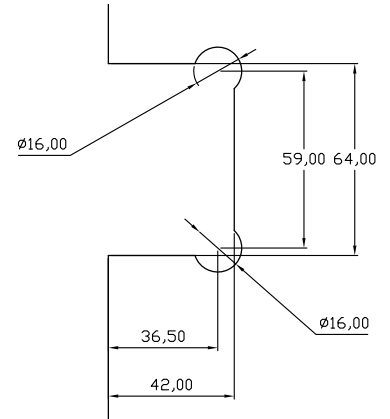
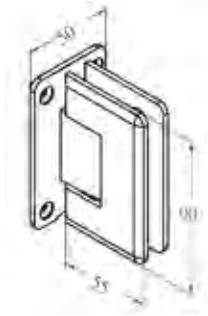


HT-3050

GLASS DOOR SHOWER HINGE (Wall to Glass) 90°

- Stainless Steel Spring
- Suitable for glass 8mm to 10mm
- Back plate width: 5cm
- Fitting with 4 screws

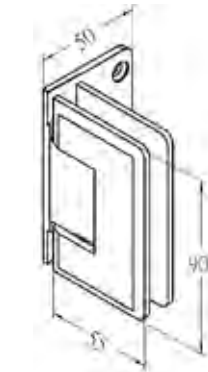
Material	Cover Finish
Brass	Chrome plated
	Satin
	Gold



HT-3051

GLASS DOOR SHOWER HINGE (Wall to Glass) 90°

- Chrome plated over Brass
- Stainless Steel Spring
- Suitable for glass 8mm to 10mm
- Back plate width: 5cm
- Fitting with 3 screws

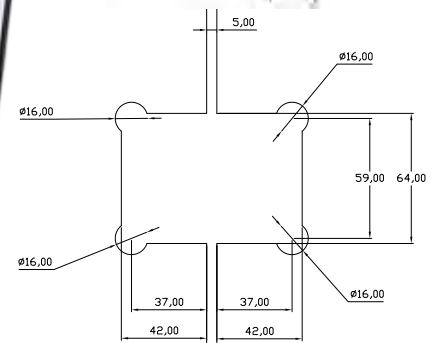
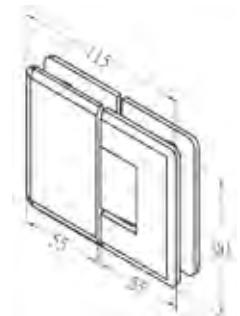


HT-3053

GLASS DOOR SHOWER HINGE (Glass to Glass) 180°

- Stainless Steel Spring
- Suitable for glass 8mm to 10mm

Material	Cover Finish
Brass	Chrome plated
	Satin
	Gold

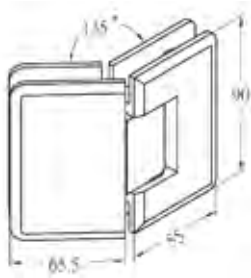
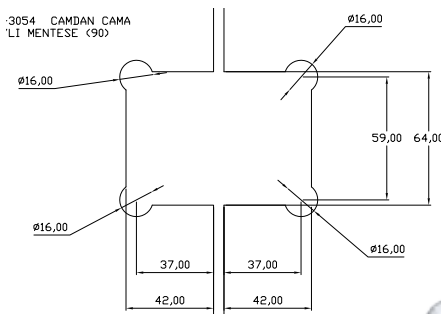
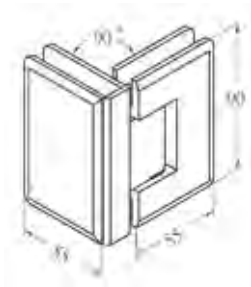




HT-3054

**GLASS DOOR SHOWER HINGE
(Glass to Glass) 90°**

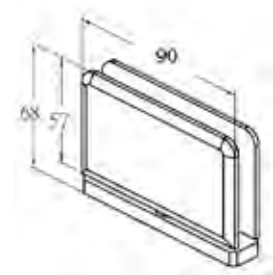
- Chrome plated over Brass
- Stainless Steel Spring
- Suitable for glass 8mm to 10mm



HT-3056

**GLASS DOOR SHOWER HINGE
(Glass to Glass) 135°**

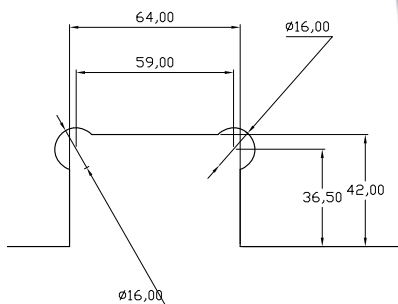
- Chrome plated over Brass
- Stainless Steel Spring
- Suitable for glass 8mm to 10mm

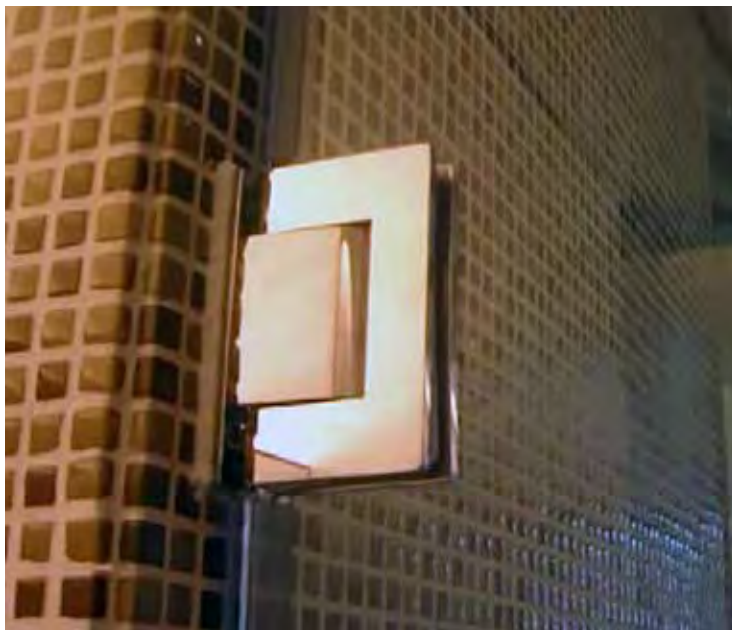


HT-3060

**PIVOT GLASS DOOR
SHOWER HINGE
(From Top and Bottom) 360°**

- Chrome plated over Brass
- Stainless Steel Spring
- Suitable for glass 8mm to 10mm





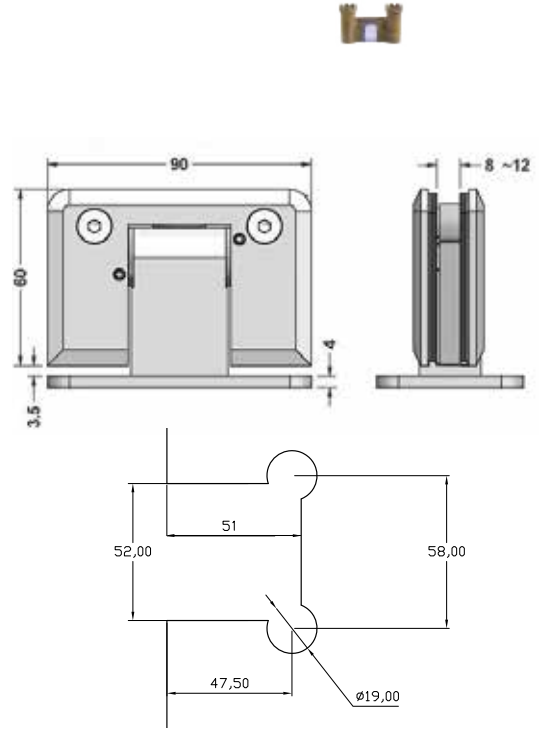
HYDRAULIC HINGES

What makes THOOR® hydraulic hinges different than other hydraulic hinges is the superior resistant hydraulic mechanism built inside. Thanks to this durable hydraulic mechanism glass door closes itself perfectly and silently every time. The compact design of these high quality hinges, which takes up less space, allows also an easy installation. On the ground or on the ceiling there is no need for an excavation. Another outstanding feature of the THOOR® hydraulic hinges is that the closing force can be adjusted to close the door at the desired speed.

THR-6000

TOP FEATURES:

- SELF-CLOSING FROM 70°
- ZERO-ANGLE ALIGNMENT
- VERY LONG LIFE TIME



THOR SIMPLE ADJUSTABLE HYDRAULIC GLASS DOOR HINGE (Wall to Glass)

Features:

- Self-closing from 70° angle
- Constant closing force and speed ensures a flawless centering to 0° door closing point
- Passed the 300.000 times self-closing test, proven long lifetime
- Adjustable door angle $\pm 15^\circ$ for perfect closing
- At $\pm 90^\circ$ the door stays put
- Maximum Door Leaf Weight for 2 pieces: 50kg
- Maximum Door Leaf Length: 900mm.
- Chrome plated over Brass
- Suitable for glass 8mm to 10mm
- Ideal for interior space use



THR-6010

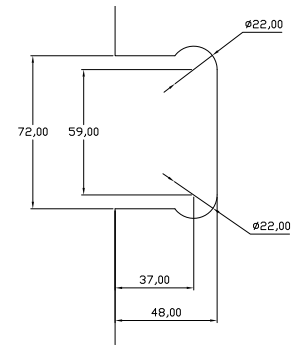
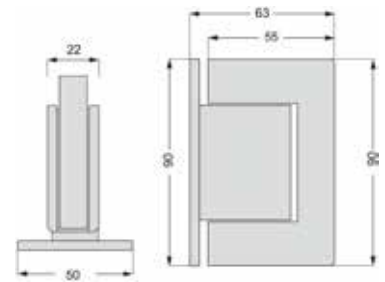


THOOR HYDRAULIC GLASS DOOR HINGE SET (2 Hinges Wall to Glass) 90°

- Stainless Steel AISI304, Polished
- Wall to glass fixing 180
- Suitable for 8-12mm tempered glass use
- Maximum door leaf weight: 45kg
- Maximum door leaf width: 800mm
- Self-closing when door is closed to 85°
- Double action, maximum door open angle: 95° Holdopen at 90°
- Valve adjustment available for closing speed control
- Self-positioned when door reaches to initial position
- Tested according to EN1154 (130,000 cycles)

TOP FEATURES:

- SELF-CLOSING FROM 85°
- SPEED ADJUSTMENT

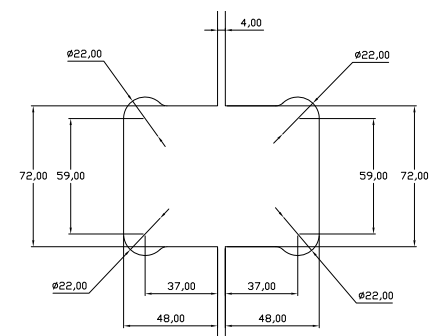
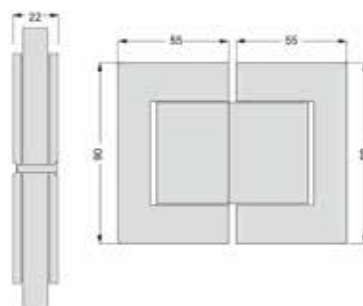


THR-6013



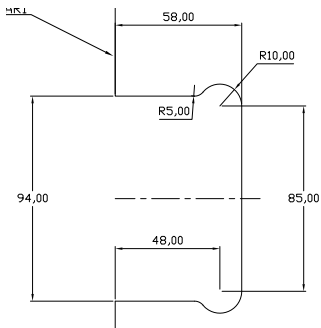
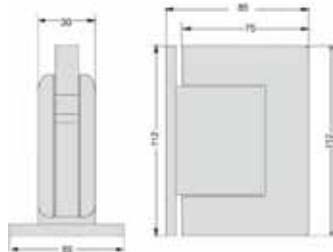
THOOR HYDRAULIC GLASS DOOR HINGE SET (2 Hinges Glass to Glass) 180°

- Stainless Steel AISI304, Polished
- Wall to glass fixing 180
- Suitable for 8-12mm tempered glass use
- Maximum door leaf weight: 45kg
- Maximum door leaf width: 800mm
- Self-closing when door is closed to 85°
- Double action, maximum door open angle: 95° Holdopen at 90°
- Valve adjustment available for closing speed control
- Self-positioned when door reaches to initial position
- Tested according to EN1154 (130,000 cycles)



TOP FEATURES:

- SELF-CLOSING FROM 85°
- TWO SECTIONS SPEED ADJUSTMENT

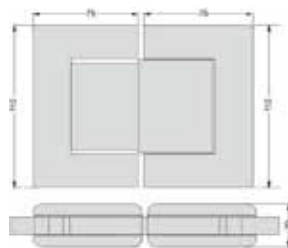
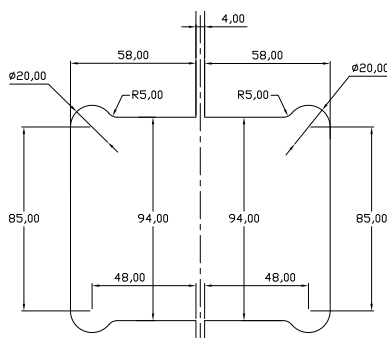


THR-6020



THOOR HYDRAULIC GLASS DOOR HINGE SET (Wall to Glass) 90°

- Stainless Steel AISI304
- Polished or Satin cover finis
- Suitable for 10mm to 15mm glass
- Maximum Door Leaf Weight: 65KG
- Maximum Door Leaf Weight: 1000mm
- Self-closing when door is closed to 85°
- Double action, at 90° door stays open
- 2-Stage adjustable speed control
- Superior Resistant Damping Mechanism
- Tested according to EN1154 (130,000 cycles)



THR-6023



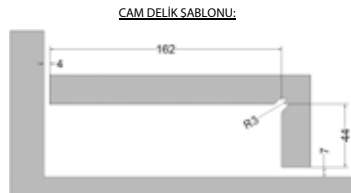
THOOR HYDRAULIC GLASS DOOR HINGE SET (Glass to Glass) 180°

- Stainless Steel AISI304
- Polished or Satin cover finis
- Suitable for 10mm to 15mm glass
- Maximum Door Leaf Weight: 65KG
- Maximum Door Leaf Weight: 1000mm
- Self-closing when door is closed to 85°
- Double action, at 90° door stays open
- 2-Stage adjustable speed control
- Superior Resistant Damping Mechanism
- Tested according to EN1154 (130,000 cycles)

THR-6301 THOOR MASTER HYDRAULIC HINGE

TOP FEATURES:

- SELF-CLOSING FROM 85°
- NO NEED TO DIG FLOOR
- ZERO-ANGLE ADJUSTMENT
- TWO SECTIONS SPEED ADJUSTMENT



CAM DELİK SABLONU:

ADVANTAGES:

- + Shorter Assemble Times!
- + Cleaner Workplace!
- + Less assemble cost!

Bu menteşenin çalışma şeklini web sitemizden izleyebilirsiniz: www.hatipoglutd.com.tr

TECHNICAL SPECIFICATIONS:

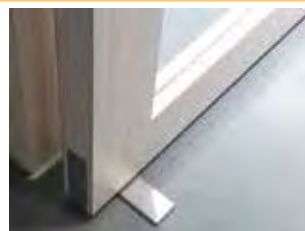
Steel Casted Body with Stainless Steel Cover
 Floor mounted by surface fixing (non-excavating)
 Reduce time and cost taken by installation Suitable for 10-13.5mm tempered glass use Maximum door leaf weight: 80kg
 Maximum door leaf width: 850mm
 Self-closing when door is closed to 85°
 Double action, maximum door open angle: 125°
 Hold-open at door open angle 90°
 Valve adjustment available for closing speed control
 Self-positioned when door reaches to initial position

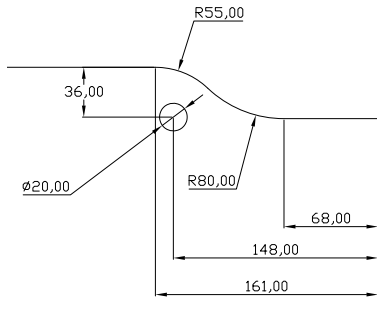
MODEL ALSO AVAILABLE FOR
WOODEN DOORS!

THR-6310W



YENİ





HT-6202

GLASS DOOR TOP PATCH

Stainless Steel AISI304

Suitable for glass 8mm to 12mm

52x164x32mm

HT-6203

TOP PATCH PIVOT

Stainless Steel AISI304

Suitable for glass 8mm to 12mm

52x164x32mm

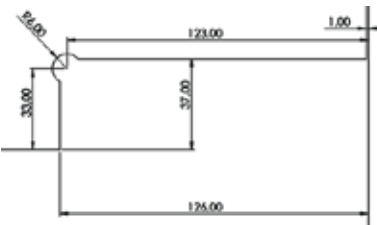
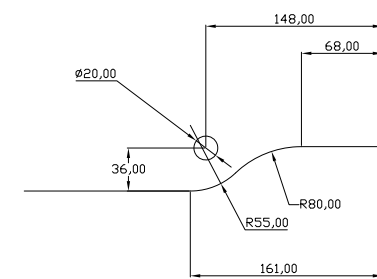
HT-6203U

TOP PATCH PIVOT LONG

Stainless Steel AISI304

Suitable for glass 8mm to 12mm

52x210x32mm



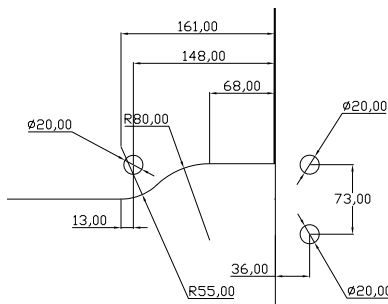
HT-6204

TOP PATCH PIVOT L-TYPE

Stainless Steel AISI304

Suitable for glass 8mm to 12mm

218x106(51)x32mm



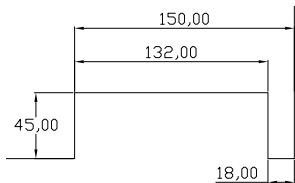
HT-6207

BOTTOM LOCK

Stainless Steel AISI304

Suitable for glass 8mm to 12mm

52x164x32mm



HT-6200



BOTTOM PATCH

HT-6205



TOP PANEL FIXING

HT-2704

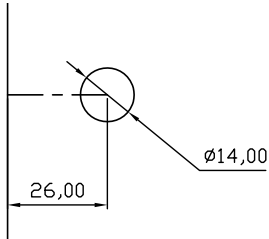
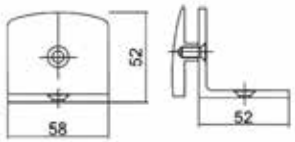


TOP PATCH PIVOT
(FROM AL-FRAME)



GLASS SHOWER FIXINGS

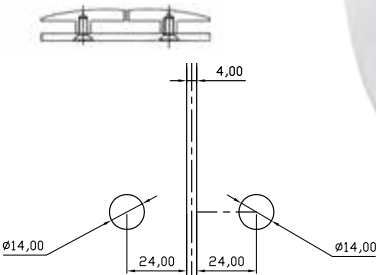
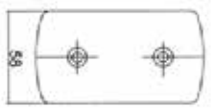
Hatipoglu Glass Clips provide side and top panel fixin , edge or leaf connections with different angles and many more practices. Hatipoglu Glass Clips enrich bathroom and sauna architecture and offer long-lasting solutions with its wide range of products specially produced from high quality materials for wet environment.



HT-4550

GLASS CLIP
(Wall to Glass) 90°

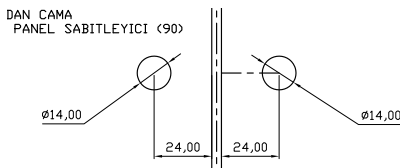
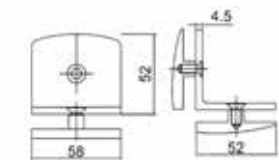
- Chrome plated over Brass
- Suitable for glass 6mm to 12mm



HT-4553

GLASS CLIP
(Glass to Glass) 180°

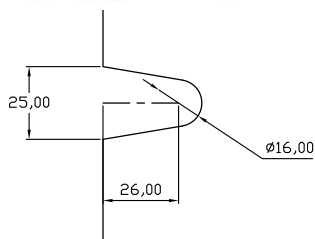
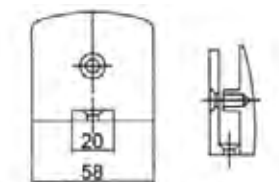
- Chrome plated over Brass
- Suitable for glass 6mm to 12mm



HT-4554

GLASS CLIP
(Glass to Glass) 90°

- Chrome plated over Brass
- Suitable for glass 6mm to 12mm



HT-4555

GLASS CLIP
(Wall to Glass)

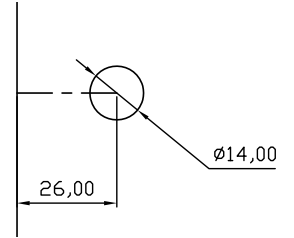
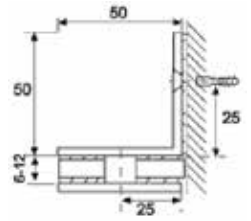
- Chrome plated over Brass
- Suitable for glass 6mm to 12mm



HT-4560

GLASS CLIP
(Wall to Glass) 90°

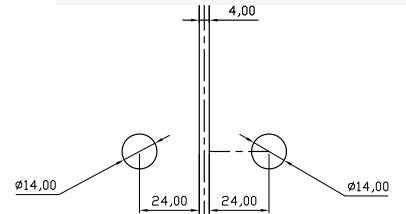
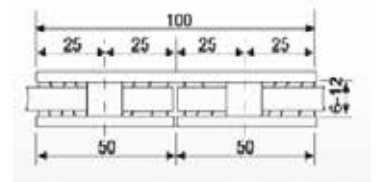
- Chrome plated over Brass
- Suitable for glass 6mm to 10mm



HT-4563

GLASS CLIP
(Glass to Glass) 180°

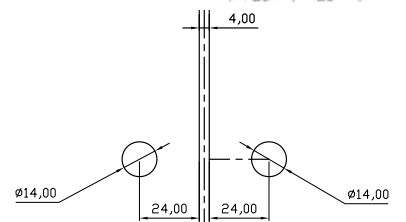
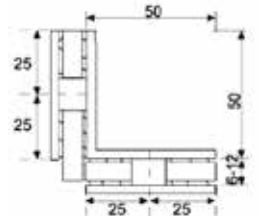
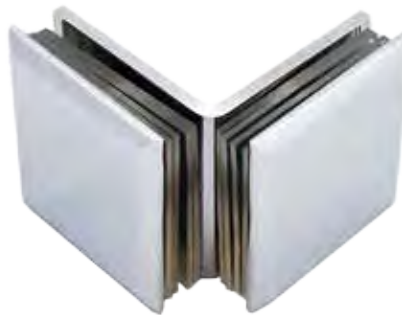
- Chrome plated over Brass
- Suitable for glass 6mm to 10mm



HT-4564

GLASS CLIP
(Glass to Glass) 90°

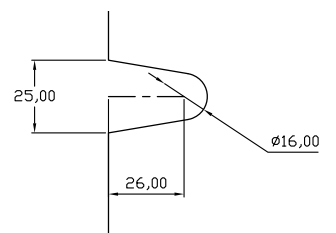
- Chrome plated over Brass
- Suitable for glass 6mm to 10mm



HT-4565

GLASS CLIP
(Wall to Glass) 90°

- Suitable for glass 6mm to 10mm



Material	Cover Finish
Brass	Chrome Plated
	Satin
	Gold



Backview

HT-4510

GLASS CLIP (Wall to Glass)

- Stainless Steel AISI304, Satin
- Without Glass Cut
- Suitable for glass 8mm to 10mm
- 40x40x25mm



Backview

HT-4515

GLASS CLIP (Wall to Glass)

- Chrome plated over Brass
- Suitable for glass 8mm to 10mm
- 35x50x21mm



HT-4820-SET

GLASS SUPPORT BAR (Wall to Glass)

- 45° Flange + Tube + 90° Toggle Joint.
- Flange and Toggle Joint, Chrome plated over Brass
- Polished Stainless Steel Tube
- Suitable for glass 6mm to 10mm

Material	Cover Finish
Brass + Stainless Steel AISI304	Chrome Plated
	Satin
	Gold



HT-4830-SET

GLASS SUPPORT BAR (Wall to Glass)

- 45° Flange + Tube + 90° Toggle Joint.
- Flange and Toggle Joint, Chrome plated over Brass
- Polished Stainless Steel Tube
- Suitable for glass 6mm to 10mm



GLASS DOOR HANDLES, TOWEL BARS and KNOBS

Door handles create the first impression when entering an office or a room. This makes them very important in architecture. You feel a sense of stability and confidence of quality when you touch the Hatipoglu door handles. Hatipoglu Glass Door Handles maintain its appearance of elegant design with high quality surface for many years.



HT-5103



Ø20x200x300

HT-5105



Ø25x300x500

HT-5106



Ø32x300x600

HT-5100 SERIES PUSH-PULL HANDLES

Material: Stainless Steel AISI304

MODEL	Diameter (Ø)	Hole Center Distance (mm)	Length (mm)	Cover Finish
HT-5103	20	200	300	Satin
HT-5105	25	300	500	Polished,Satin,Gold
HT-5106	32	300	600	Satin
HT-5108	25	600	800	Satin
HT-5110	32	800	1000	Satin
HT-5115	32	1200	1500	Satin
HT-5120	32	900+900	2000	Satin

Glass hole: Ø14

Can be manufactured in special size



HT-5108



Ø25x600x800

HT-5110



Ø32x800x1000

HT-5115



Ø32x1200x1500

HT-5120



Ø32x(900+900)x2000

HT-5201

CONICAL PULL HANDLE

- Stainless Steel AISI304
- Dimensions: Ø32x300x600m

Material	Cover Finish
Stainless Steel AISI304	Polished & Satin
	Polished Gold & Satin Gold



Altın

HT-5233

ARC-TYPE PULL HANDLE

- Stainless Steel AISI304
- Dimensions:[40x10]x400x600mm



HT-5406

SQUARE PULL HANDLE

- Stainless Steel AISI304
- Dimensions:[25x25]x300x600mm
- Can be manufactured in special size

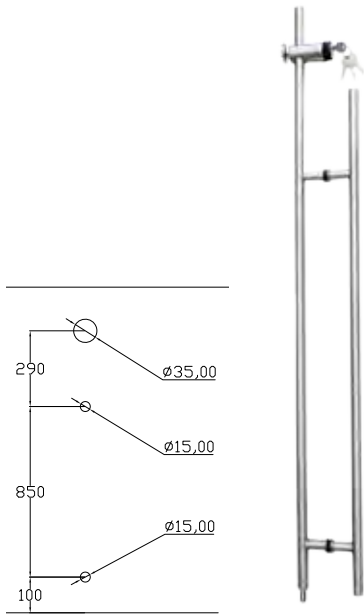


HT-5453

OTTOMAN HANDLE

- Brass, Gold color or Bronze plated
- Dimensions: Ø25x300x375mm
- Can be manufactured in special size





THR-5301



THOOR TRIO GLASS DOOR HANDLE LOCK

- Inside Thumbturn and outside keyed cylinder
- No need to get down, easy ground locking
- Stainless Steel AISI304, Satin
- Dimensions mm (Diameter, Length): 25x1350

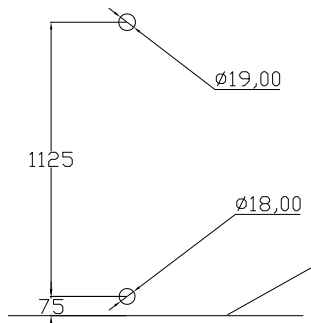


THR-5302



THOOR EQUAL HANDLE WITH LOCK

- Inside Thumbturn and outside keyed cylinder
- No need to get down, easy ground locking
- Stainless Steel AISI304, Satin
- Dimensions: Ø35x1500



YENİ



THR-5304

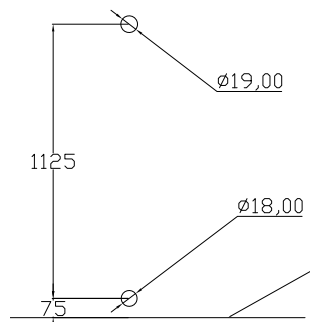


THOOR EDGE HANDLE WITH LOCK

- Edged Design
- Inside Thumbturn and outside keyed cylinder
- No need to get down, easy ground locking
- Stainless Steel AISI304, Satin
- Dimensions: [38x25]x1500mm



Dustproof Strike Box





HT-5702

GLASS DOOR PUSH-PULL HANDLE

- Stainless Steel AISI304
- Dimensions: Ø20x200x220 mm

Material	Cover Finish
Stainless Steel AISI304	Polished
	Satin

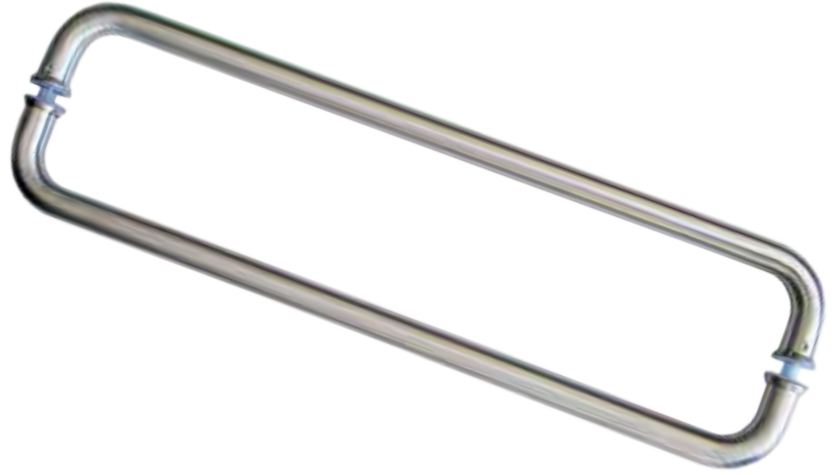


HT-5704

GLASS DOOR PUSH-PULL HANDLE

- Stainless Steel AISI304
- Dimensions: Ø19x400x420 mm

Material	Cover Finish
Stainless Steel AISI304	Polished
	Satin



HT-5712

GLASS DOOR PUSH-PULL HANDLE

- Stainless Steel AISI304, Satin
- Dimensions: [19x19]x200x220 mm





HT-5751

TOWEL BAR

- Brass and Stainless Steel AISI304, Polished
- Hole Center Distance: 400mm



HT-5752

TOWEL BAR

- Brass and Stainless Steel AISI304, Polished
- Hole Center Distance: 400mm

YENİ



HT-5755

TOWEL BAR

- Brass and Stainless Steel AISI304, Polished
- Hole Center Distance: 400mm

HT-5800

ROUND GLASS DOOR HANDLE

- For Sliding Glass Doors
- Stainless Steel AISI304
- Suitable for glass 8mm to 12mm
- Outer Diameter (Ø) : 57 mm



HT-5800



HT-5800N



HT-5800D

HT-5880

SLIDING GLASS DOOR HANDLE

- Stainless Steel AISI304
- Without Glass Cut
- Comes as pair, Glue not included
- 160x50x8mm



HT-5801

CYLINDER GLASS DOOR KNOB

- Chrome plated over Brass
- Diameter (Ø) : 30 mm



HT-5802

CONIC CYLINDER GLASS DOOR KNOB

- Stainless Steel AISI304
- Polished or Satin
- Diameter (Ø) : 30 mm



HT-5804

BUCKLED GLASS DOOR KNOB

- Diameter (Ø) : 40mm



Altın

Material	Cover Finish
Brass	Chrome plated
	Gold



HT-5805

CRYSTAL GLASS DOOR KNOB

- Chrome plated over Brass and Glass
- Diameter (Ø) : 40mm



HT-5807

CRYSTAL BALL GLASS DOOR KNOB

- Chrome plated over Brass and Glass
- Diameter (Ø) : 40mm



HT-5808

GLASS DOOR KNOB

- Chrome plated over Zinc
- 30x30mm



HT-5809

GLASS DOOR KNOB

- Chrome plated over Zinc
- Çap (Ø) : 30mm



HT-5811

CYLINDER GLASS DOOR KNOB

- Stainless Steel AISI304
- Polished or Satin
- Diameter (Ø) : 55mm

GLASS CONNECTORS

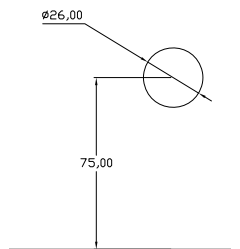
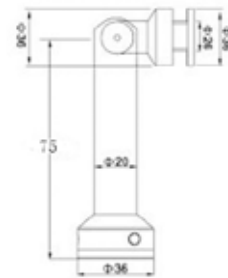
Hatipoglu Glass Connectors are used especially in office partitions and commonly used at interior office designs of banks. Stainless steel AISI304 material provides high resistance against corrosion and surface stains. Despite the high quality and compact size, Hatipoglu Glass Connectors offers a unrivaled price range.



HT-7001

GLASS CONNECTOR (Wall to Glass Single Joint)

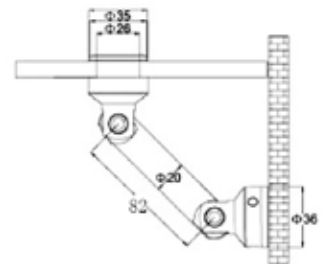
- Stainless Steel AISI304, Satin
- Suitable for glass 8mm to 12mm
- Flat Tap or Countersink Tap Available

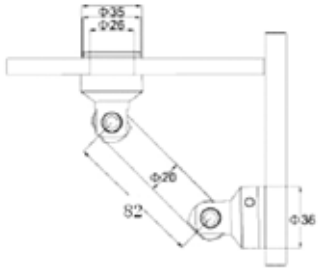


HT-7002

GLASS CONNECTOR (Wall to Glass Double Joint)

- Stainless Steel AISI304, Satin
- Suitable for glass 8mm to 12mm
- Flat Tap or Countersink Tap Available

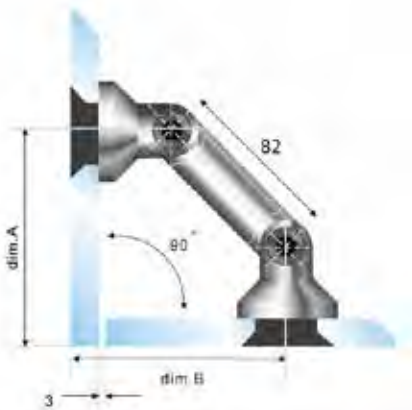
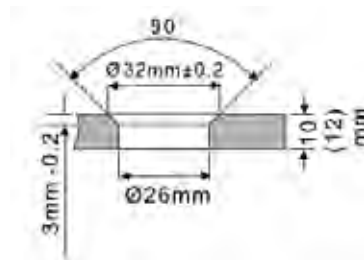
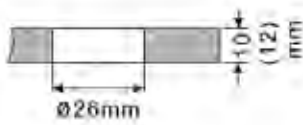




HT-7003

GLASS CONNECTOR (Glass to Glass Double Joint)

- Stainless Steel AISI304, Satin
- Suitable for glass 8mm to 12mm
- Flat Tap or Countersink Tap Available



ANGLE	A / B DISTANCE (mm)
90°	96,5
105°	72,1
120°	62,3
135°	54,7
180°	39,5

* Considered as 10mm Glass Thickness



HT-7004

GLASS CONNECTOR (Triple Joint)

- Stainless Steel AISI304, Satin
- Suitable for glass 8mm to 12mm
- Flat Tap or Countersink Tap Available

HT-7010

PANEL LEG SUPPORT (Wall to Glass)

- Stainless Steel AISI304, Satin
- Suitable for glass 8mm to 10mm
- Without Glass Cut
- ~10mm Adjustable Up and Down
- Distance of Glass from Floor: 120mm



Arkadan Görünüm

HT-7022

SINGLE POINT FITTING (Flat Type)

- Stainless Steel AISI304, Satin
- Standard Dimensions: Ø:40mm x 25mm ve Ø:40mm x 50mm
- Manufacturing in special dimensions according to the product quantity
- Suitable for glass 8mm to 16mm



HT-7022-25



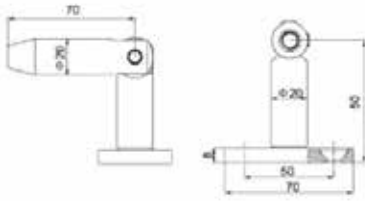
HT-7022-50





GLASS CANOPY FIXINGS

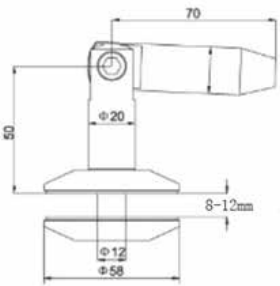
Hatipoglu Glass Canopy Fixings enables the sunshine go through and provides a shelter on rainy days. Many different combinations allow various types of canopy systems to be build. Stainless steel AISI304 material of Hatipoglu Glass Canopy Fixings ensure high durability against corrosion and with colored glass buildings look more elegant and authentic.



HT-7101

GLASS CANOPY REAR CANTILEVER WALL BRACKET

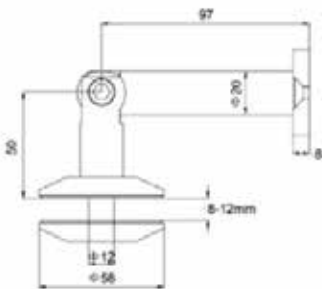
- Stainless Steel AISI304, Satin
- 8-12mm Camlara uygun



HT-7102

FRONT CANTILEVER GLASS BRACKET

- Stainless Steel AISI304, Satin
- 8-12mm Camlara uygun



HT-7103

WALL TO GLASS CONNECTOR

- Stainless Steel AISI304, Satin
- 8-12mm Camlara uygun



SLIDING GLASS DOOR SYSTEMS

Sliding glass doors provides a wonderful comfort, therefore the use in architecture is increasing every day. Hatipoglu / THOOR® sliding door systems ensure perfect solutions in residential buildings, offices and other places with space gains and better aesthetics. Visible or hidden, simple or ornate different models with fair prices, Hatipoglu /THOOR® sliding door systems meets all of your expectations.



HT-8101-SET



LAMA SLIDING GLASS DOOR SYSTEM

- Stainless Steel AISI304, Satin
- High durability, long-life
- Quiet and smooth operation
- Suitable for glass 8mm to 16mm
- Set Content:
 - 2 Hangers
 - 2 Door Stoper
 - 2m Tube (Ø25x2mm)
 - 4 Tube-Side Wall Connector
 - 2 Tube-Glass Connectors
 - 1 Bottom Guide





**HT-8101
LAMA DOOR
HANGER**



**HT-8102
TUBE TO WALL
FIXING**



**HT-8103
TUBE TO GLASS
FIXING**



**HT-8104
LAMA DOOR STOPPER
LEFT+RIGHT**



**HT-8105
GLASS DOOR GUIDE**



**HT-8106
GLASS TO GLASS
PANEL FIXING**



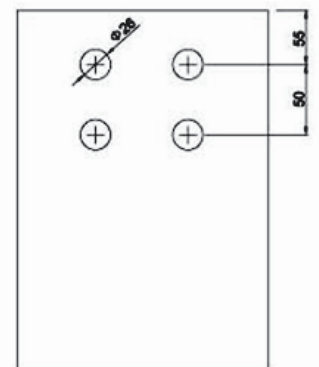
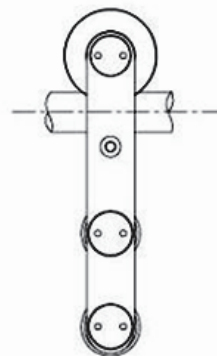
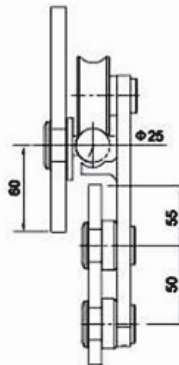
**HT-8107
TUBE FLANGE**



**HT-8108
TUBE TAP**



**HT-8109
CEILING
CONNECTOR**

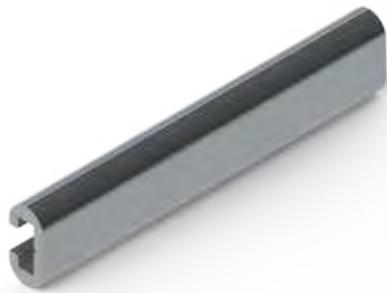


HT-8600-SET



DOLPHIN SLIDING GLASS DOOR SYSTEM

- Chrome plated over Brass
- Suitable for glass 8mm to 16mm
- Set Content:
 - 2 Hangers
 - 2 Door Stoppers
 - 2m Elliptic Tube
 - 4 Tube-Side Wall Connectors
 - 2 Tube-Glass Connectors
 - 1 Bottom Guide





HT-8601
DOOR HANGER



HT-8602
RAIL TO WALL FITTING



HT-8603
RAIL TO GLASS
FITTING



HT-8604
DOOR STOPPER



HT-8605
FLOOR GUIDE



HT-8607
RAIL TO SIDE WALL
FITTING



HT-8608
RAIL TAP



HT-8609
RAIL TO CEILING
FITTING



HT-8610
ADDITIONAL RAIL
CONNECTOR 180°



HT-8611
RAIL EDGE
CONNECTOR 135°



HT-8612
RAIL EDGE
CONNECTOR 90°



HT-8613
RAIL TO GLASS FITTING
(From Top Panel)

HT-8201-SET



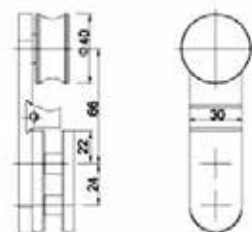
HT-8208



Corner Installation

HT-8201-SET

- Stainless Steel AISI304, Satin
- Suitable for glass 8mm to 12mm
- Set Content:
 - 2 Hangers
 - 2 Door Stoppers
 - 2m Stainless Steel Rail (30mm-10mm)
 - 2 Tube-Side Wall Connectors
 - 2 Tube-Glass Connectors
 - 1 Bottom Guide



HT-8211-SET



HT-8211-SET

Corner Installation

- Suitable for glass 8mm to 12mm
- Stainless Steel AISI304, Satin cover finis
- Silent and Smooth Movement
- Simple and Elegant Look
- High durability, long-life
- Set Contents:
 - 2 Carriages
 - 2 Door Stoppers
 - 2m Tube (Ø25x2mm)
 - 2 Tube-Side Wall Connectors
 - 2 Tube-Glass Connectors
 - 1 Bottom Guide





THR-8900-SERIES HIDDEN SLIDING GLASS DOOR SYSTEMS

- i. THR-8901-SET (standard)
- ii. THR-8951-SOFT-SET (Soft-Closing)
- iii. THR-8957-SENK-SET (Synchronized)

Sliding glass doors provide a wonderful comfort, therefore the use in architecture increases every day. Hatipoglu / THOOR® sliding door systems ensure perfect solutions in residential buildings, offices and other places with space gains and better aesthetics.

FEATURES of ALL MODELS

- Hidden Mechanism : Simple and Elegant Look, Carriages cant be seen from outside
- Quiet Operation : High quality bearings, Long-Life with 10 kilometers slide test
- Without Glass Cut : Fast production, easy installation
- Unique Aluminium Ray: Wall or Ceiling mountable
- Suitable for glass 8mm to 12mm
- Maximum Door Weight : 80kg

THR-8901-SET



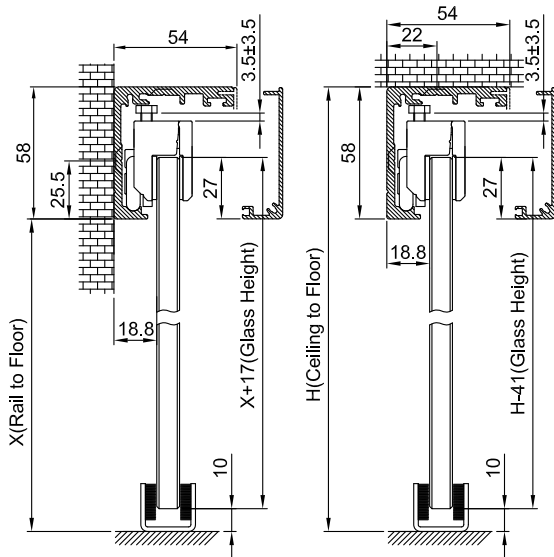
Hidden Mechanism



Guides and Stoppers

THR-8901-SET THOR HIDDEN SLIDING DOOR SYSTEM

- Set Content:
 2 Carriages (Without Glass-Cut)
 2 Door Stopper
 1 Bottom Guide
 2m Aluminium Rail



DIN EN 1527 : 1998 CERTIFIED
 100,000 CYCLES TESTED

Page 1

Wall Installation

Ceiling Installation

THR-8900SP SIDE PANEL TOP BAR

If the side panel is glass you can add this top bar to the sets THR-8901 and THR-8951-SOFT for visual integrity and aesthetics.



THR-8951-SOFT-SET YAVAŞ KAPANAN SÜRME SİSTEM



THR-8951-SOFT-SET THOOR HIDDEN SOFT-CLOSING SLIDING GLASS DOOR SYSTEM



This advanced sliding system of THOOR® series enables soft opening and closing with its damping system located inside. Even when you push the glass door towards the end points, dampers quickly take the control and slowly pulls the door to the last point.

- Set Contents:
 - 2 Stainless Steel AISI304 Roller Bearing Carriages with Soft Closing System
 - 2m Aluminium Rails with End Caps (maximum rail length: 6m)
 - 2 Door Stoppers
 - 1 Bottom Guide



Soft-closing system enables quiet and controlled closure.



Guides and Stoppers



Hidden Mechanism

THR-8957-SET SENKRONİZE SÜRME SİSTEM



Hidden Mechanism



Guides and Stoppers



Steel Cable and Rollers

THR-8957-SET THOR SENKRONİZE GİZLİ SÜRME KAPI SİSTEMİ

- Doors operate simultaneously
- Without Glass-Cut
- Suitable for glass 8mm to 10mm
- Maximum single door weight: 80kg
- Set Content:
 - 4 Carriages (Without Glass-Cut)
 - 4 Door Stopper
 - 2 Bottom Guide
 - 1 Steel Rope
 - 4m Aluminium Rail



Synchronized Operation

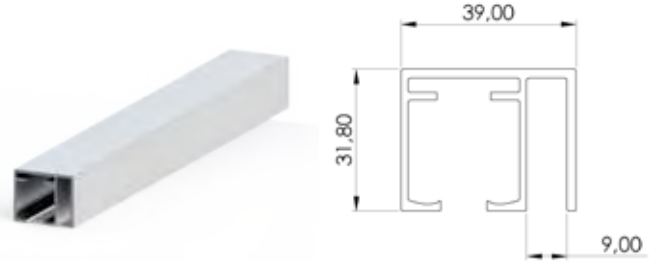
HT-8310-SET

SMALL SLIDING GLASS DOOR SYSTEM

- Maximum door weight: 30kg
- Zinc material
- Suitable for glass 8mm to 12mm
- Set Content:
 - 2 Four-Wheeled Carriages
 - 2 Door Stoppers
 - 2m Aluminium Rail
 - 1 Bottom Guide



YENİ

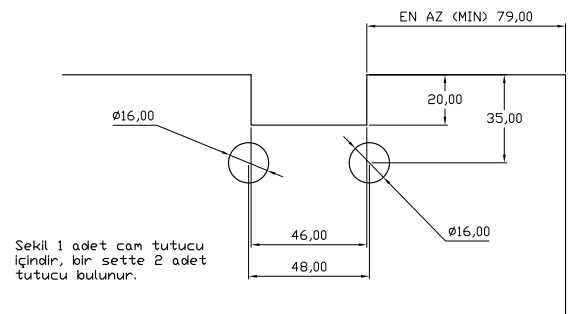


(Optional Rail with Fixed Glass Place)

HT-8400-SET

HT-8400-SET SLIDING GLASS DOOR SYSTEM

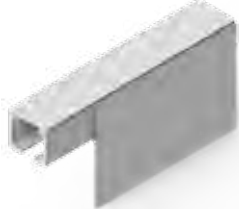
- Stainless Steel AISI304, Satin
- Suitable for glass 8mm to 12mm
- Maximum Door Weight: 60kg
- Set Content:
 - 2 Eight-Wheeled Aluminium Carriage
 - 2m Aluminium Rail
 - 2 Door Stoppers
 - 1 Bottom Guide



HT-8450-SET

SLIDING GLASS DOOR SYSTEM

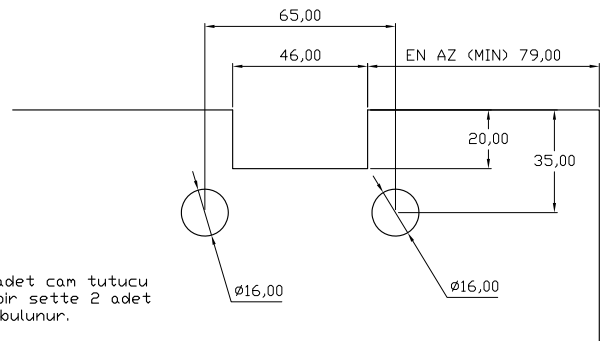
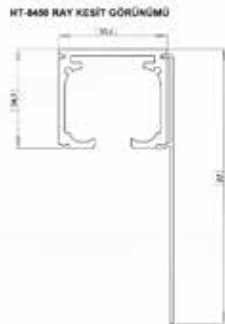
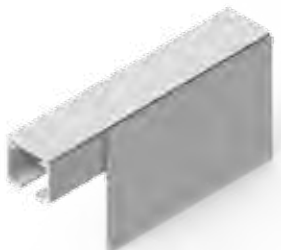
- Stainless Steel AISI304, Satin
- Suitable for glass 8mm to 12mm
- Maximum Door Weight: 100kg
- Set Content:
 - 2 Eight-Wheeled Aluminium Carriage
 - 2m Aluminium Rail
 - 2 Door Stoppers
 - 1 Bottom Guide



HT-8450-SOFT-SET

SOFT-CLOSING SLIDING GLASS DOOR SYSTEM

- Suitable for glass 8mm to 12mm
- Maximum Door Weight: 60kg
- Long-lasting and affordable
- Silent
- Set Contents:
 - 2 Stainless Steel AISI304 Roller Bearing Carriages with Soft Closing System
 - 2m Aluminium Rails with End Caps (maximum rail length: 6m)
 - 2 Door Stoppers
 - 1 Bottom Guide



HT-8490-SET



HT-8490-SET SLIDING GLASS DOOR SYSTEM

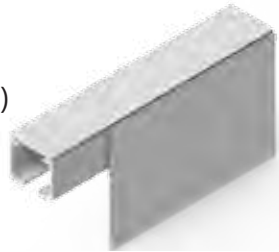
- Stainless Steel AISI304, Satin
- Suitable for glass 8mm to 12mm
- Maximum Door Weight: 100kg
- Set Content:
 - 2 Eight-Wheeled Aluminium Carriage
 - 2m Aluminium Rail
 - 2 Door Stoppers
 - 1 Bottom Guide



HT-8360-SET

HT-8360-SET SLIDING WOODEN DOOR SYSTEM

- Suitable for 8mm to 12mm glass
- Maximum Door Weight: 60kg
- Set Contents:
 - 2 Four-Wheeled Carriages
 - 2m Aluminium Rail (Maximum Length: 6m)
 - 2 Door Stoppers
 - 1 Bottom Guide



HT-8360-SOFT-SET

HT-8360-SOFT-SET SOFT-CLOSING SLIDING WOODEN DOOR SYSTEM

- Suitable for 8mm to 12mm glass
- Maximum Door Weight: 60kg
- Set Contents:
 - 2 Carriages with soft closing system
 - 2m Aluminium Rail (Maximum Length: 6m)
 - 2 Door Stoppers
 - 1 Bottom Guide

